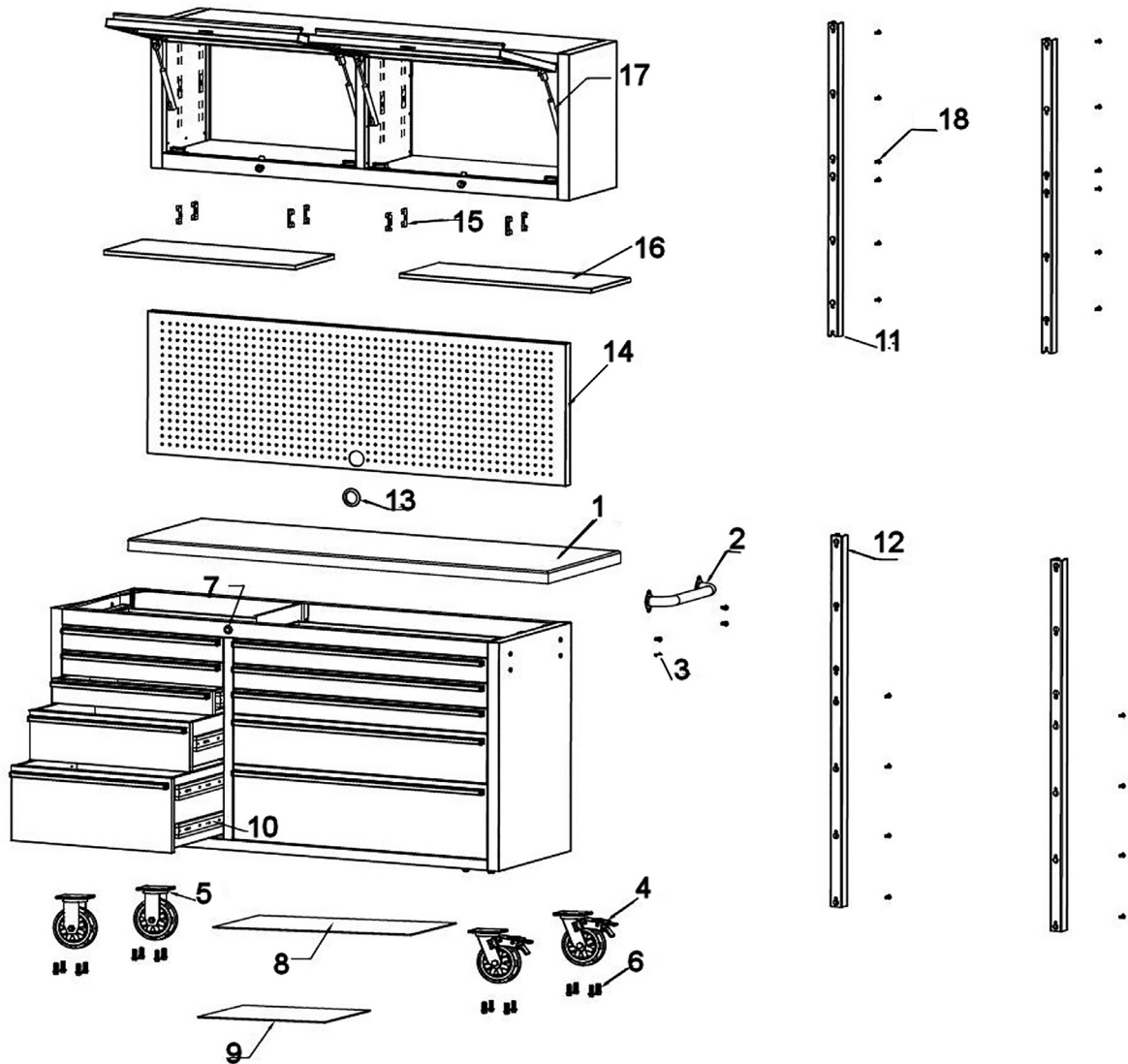




Parts Information:  
**Mobile Stainless Steel Tool Cabinet**  
**10 Drawer with Backboard & 2 Wall**  
**Cupboards**  
**Model No: AP5520SS**



Item	Part No.	Description
1	AP5520SS.01	Wooden Top
2	AP7210SS.02	Cabinet Handle
3	AP7210SS.03	Handle Bolt
4	AP7210SS.04	Wheel, Swivel Castor (w/Brake)(151 x 40 x 14 x190)
5	AP7210SS.05	Wheel, Fixed Castor (151 x 40 x 14 x 190)
6	SFS1025.S	Hex Head Flange Bolt M10 x 25mm
7	AP7210SS.07	Lock & Key
8	AP7210SS.08	Drawer Liner, Middle 845 x 390mm
9	AP7210SS.09	Drawer Liner, Left 375 x 390mm
10	AP7210SS.10	Bearing Slide

Item	Part No.	Description
11	AP5520SS.11	Upper Rail
12	AP5520SS.12	Lower Rail
13	AP5520SS.13	Grommet
14	AP5520SS.14	Peg-Board
15	AP7210SS.11	Shelf Hook
16	AP5520SS.16	Cabinet Plate, Upper
17	AP5520SS.17	Gas Strut
18	AP5520SS.18	Hex Bolt 1/4" UNC x 5/8"
--	AP5520SS.19	Rivet Nut 1/4" (Not Shown)

**NOTE:** It is our policy to continually improve products and as such we reserve the right to alter data, specifications and component parts without prior notice. There may be alternative versions of this product, please contact us should you require this information.

**IMPORTANT:** No liability is accepted for incorrect use of product. Spare parts must be fitted by a competent person

**WARRANTY:** Guarantee is 12 months from purchase date, proof of which will be required for any claim.

Sealey Group, Kempson Way, Suffolk Business Park, Bury St Edmunds, Suffolk. IP32 7AR



01284 757500



sales@sealey.co.uk



www.sealey.co.uk